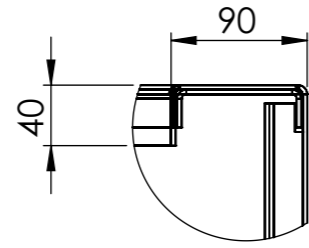
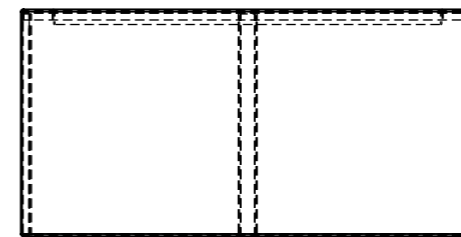
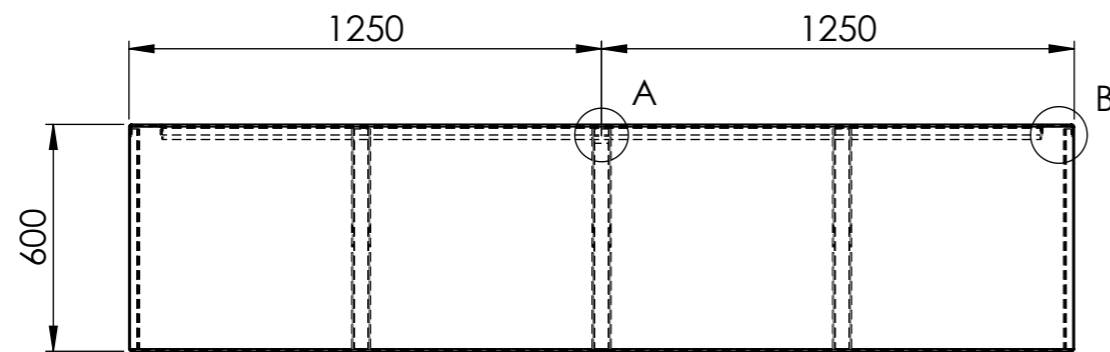
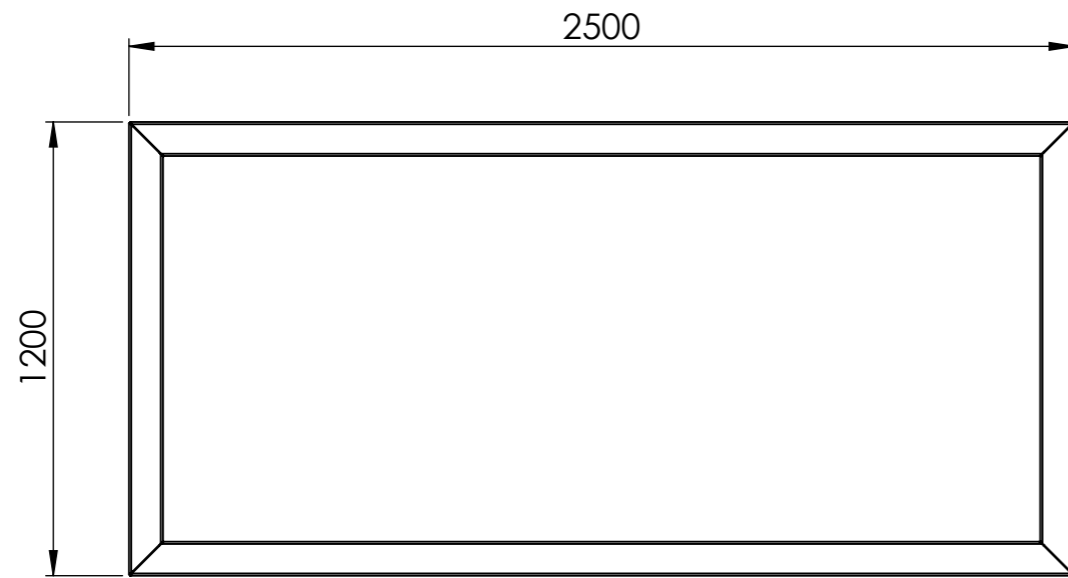
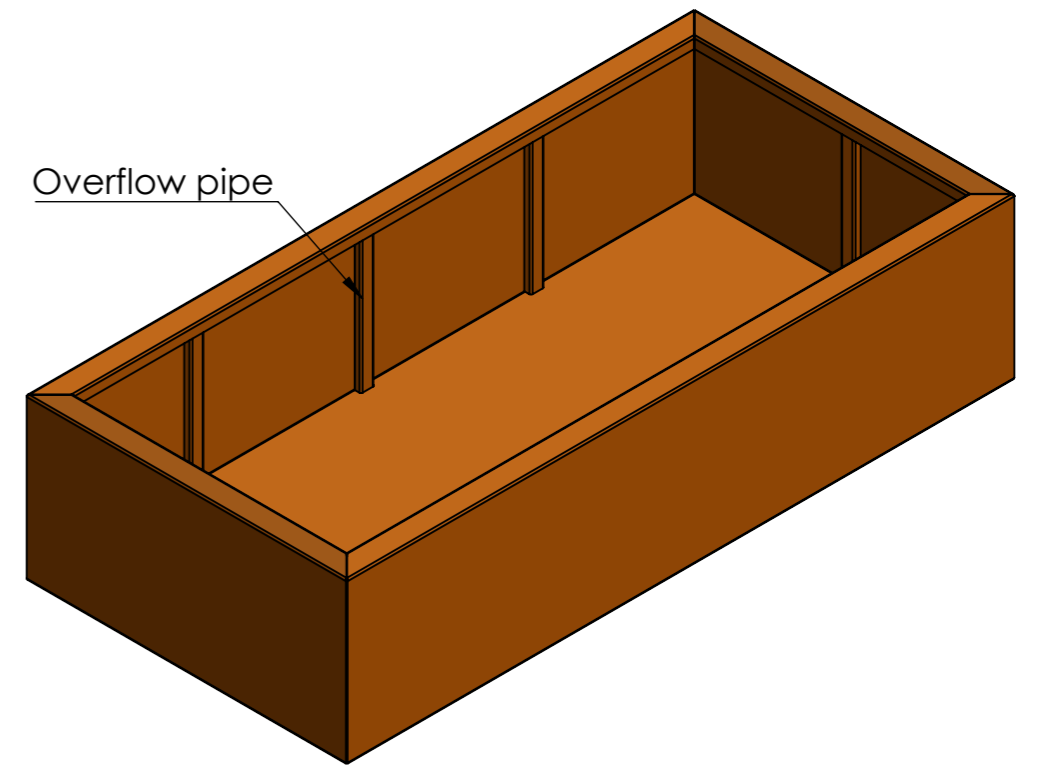


DETAIL A  
SCALE 1 : 5



DETAIL B  
SCALE 1 : 5



		DATE	
DRAWN	Luuk van den Heuvel	2-2-2020	
REVISION	Benny Dijkhuis	4-5-2021	

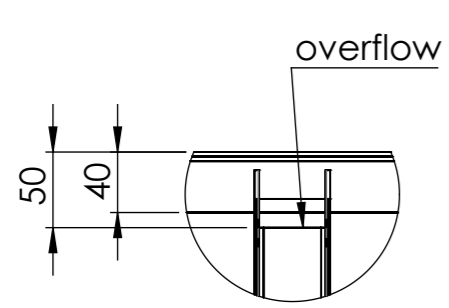
**ADEZZ**  
DESIGN TO GROW

Liessentstraat 4, 5405 AG Uden (NL).  
t 0031 (0)413 - 27 41 68.  
e info@adezz.com, i www.adezz.com

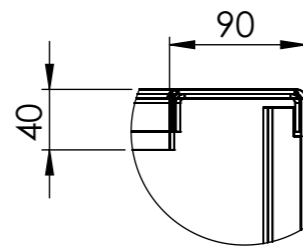
Color: -

Mass (kg): **228,37**

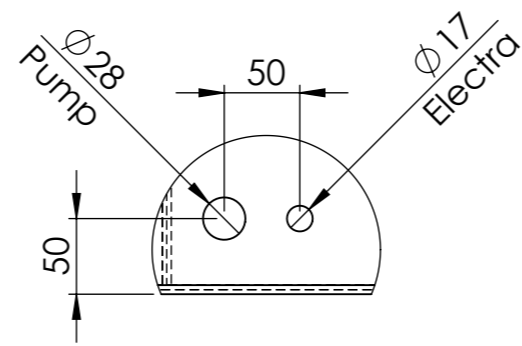
TITLE:		<p>3mm Corten</p>
Drawing:		
<p>VC8_</p>		A3
SCALE:1:20	SHEET 1 OF 13	



DETAIL A  
SCALE 1:5



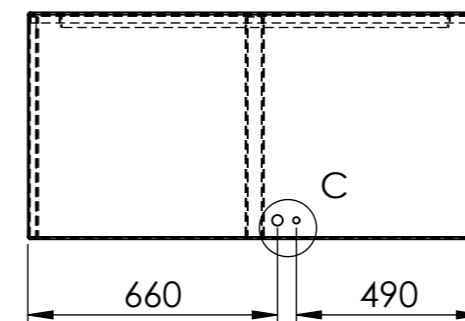
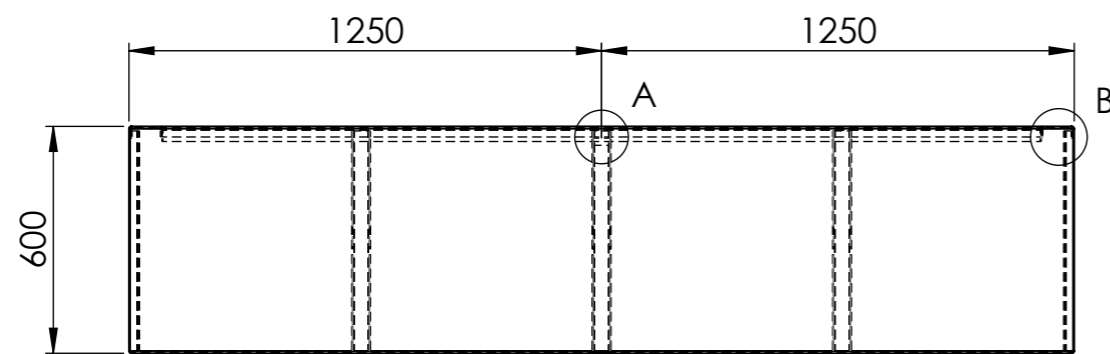
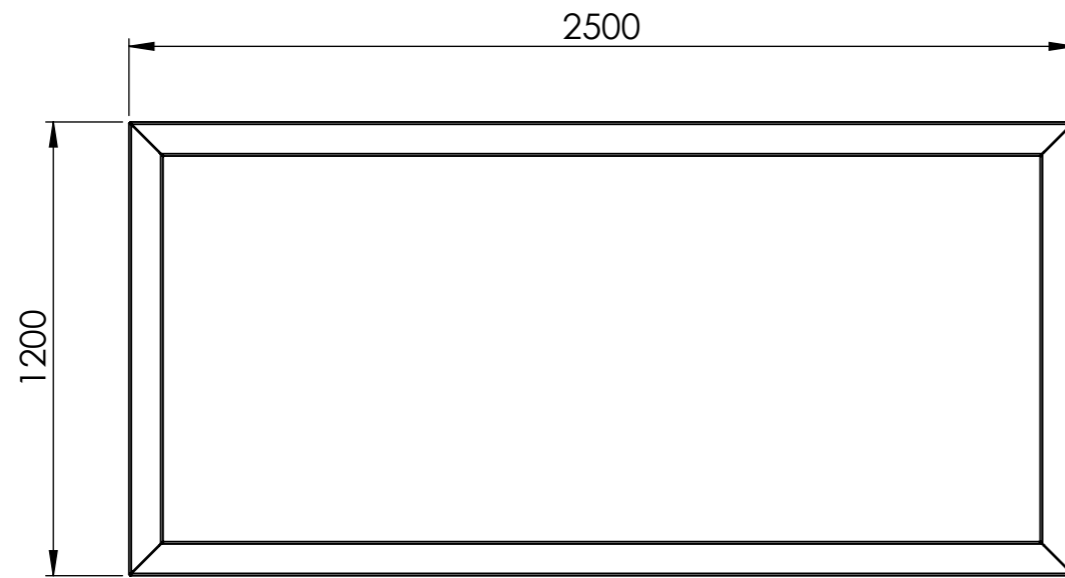
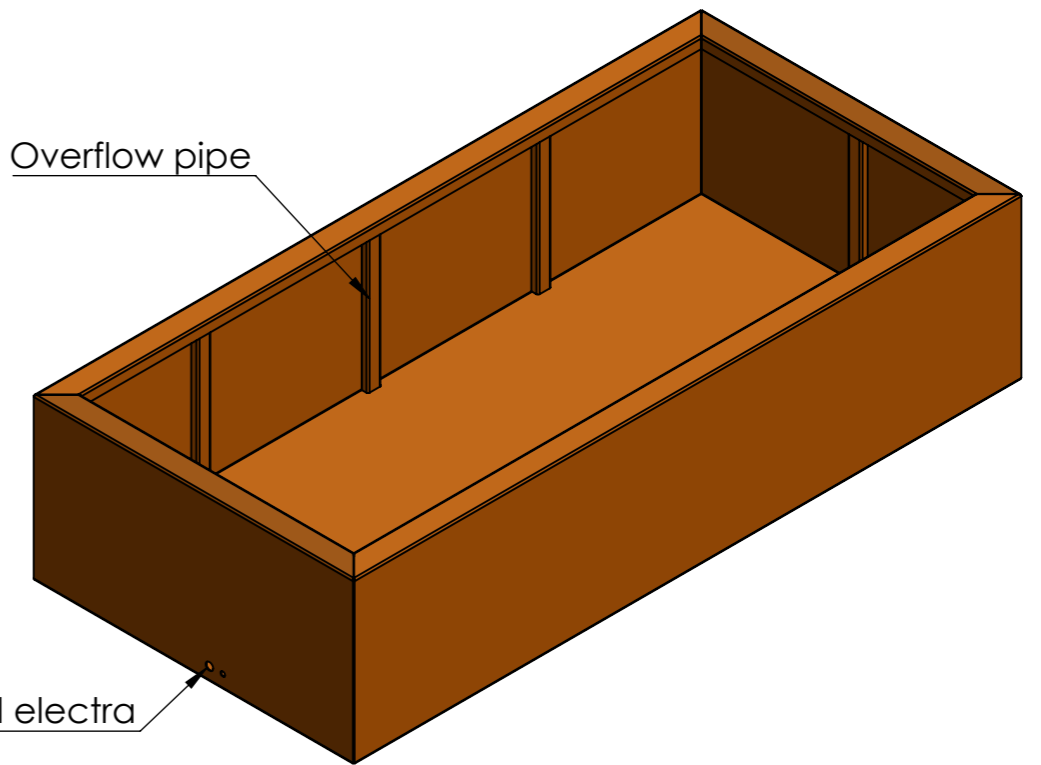
DETAIL B  
SCALE 1:5



DETAIL C  
SCALE 1:5

Overflow pipe

Pump and electra



		DATE		TITLE:
DRAWN	Luuk van den Heuvel	2-2-2020		
REVISION	Benny Dijkhuis	4-5-2021		

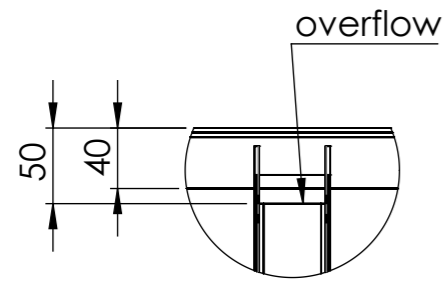
3mm Corten	
------------	--

**ADEZZ**  
DESIGN TO GROW

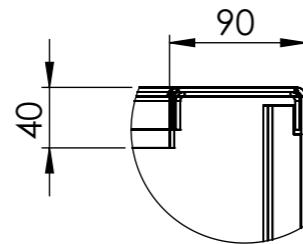
Liessentstraat 4, 5405 AG Uden (NL).  
t 0031 (0)413 - 27 41 68.  
e info@adezz.com, i www.adezz.com

Drawing:	VC8_	A3
----------	------	----

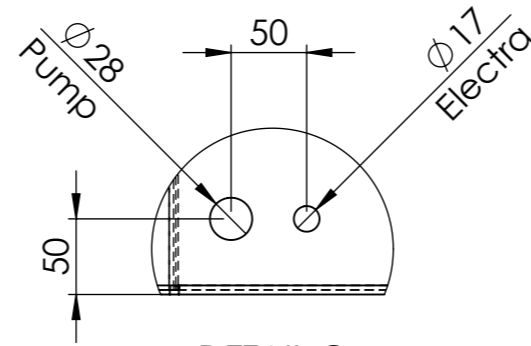
Color:	-	Mass (kg):	<b>228,35</b>	SCALE:1:20	SHEET 1 OF 13
--------	---	------------	---------------	------------	---------------



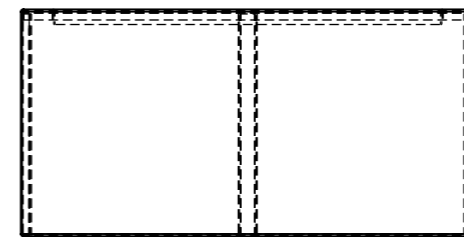
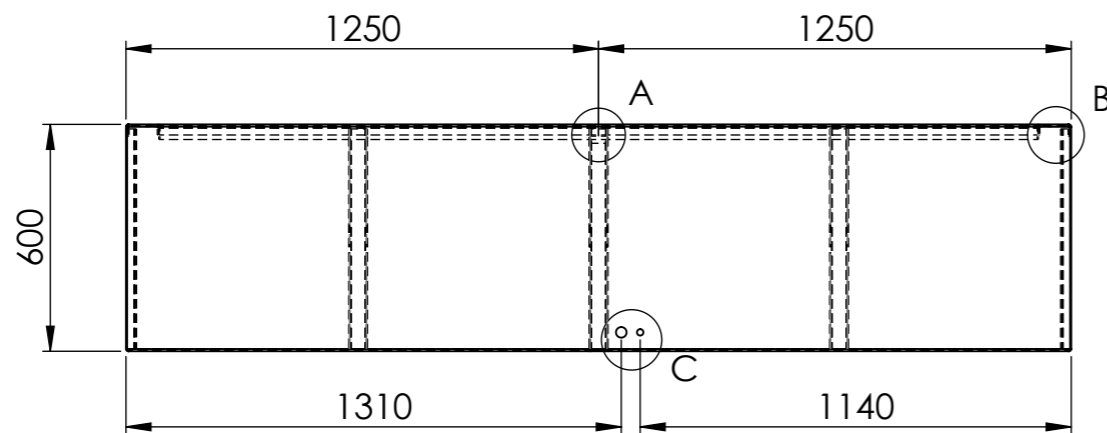
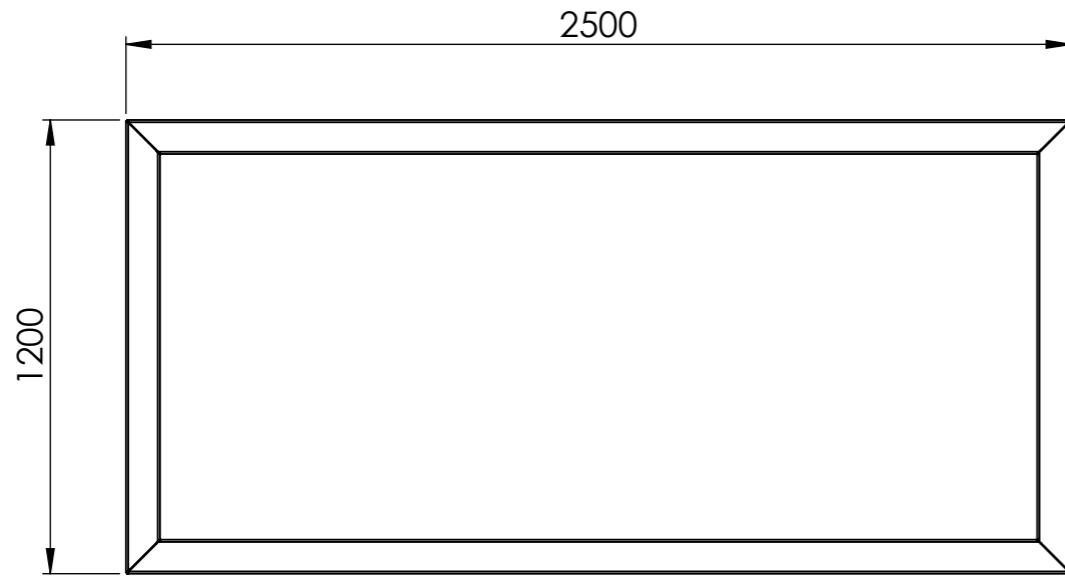
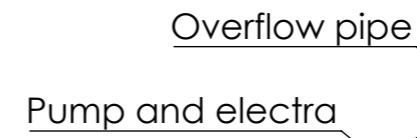
DETAIL A  
SCALE 1 : 5



DETAIL B  
SCALE 1 : 5



DETAIL C  
SCALE 1 : 5



		DATE		TITLE:
DRAWN	Luuk van den Heuvel	2-2-2020		
REVISION	Benny Dijkhuis	4-5-2021		

**ADEZZ**  
DESIGN TO GROW

Liessentstraat 4, 5405 AG Uden (NL).  
t 0031 (0)413 - 27 41 68.  
e info@adezz.com, i www.adezz.com

Color: -

Mass (kg): **228,35**

Drawing:

VC8\_

A3

SCALE:1:20

SHEET 1 OF 13